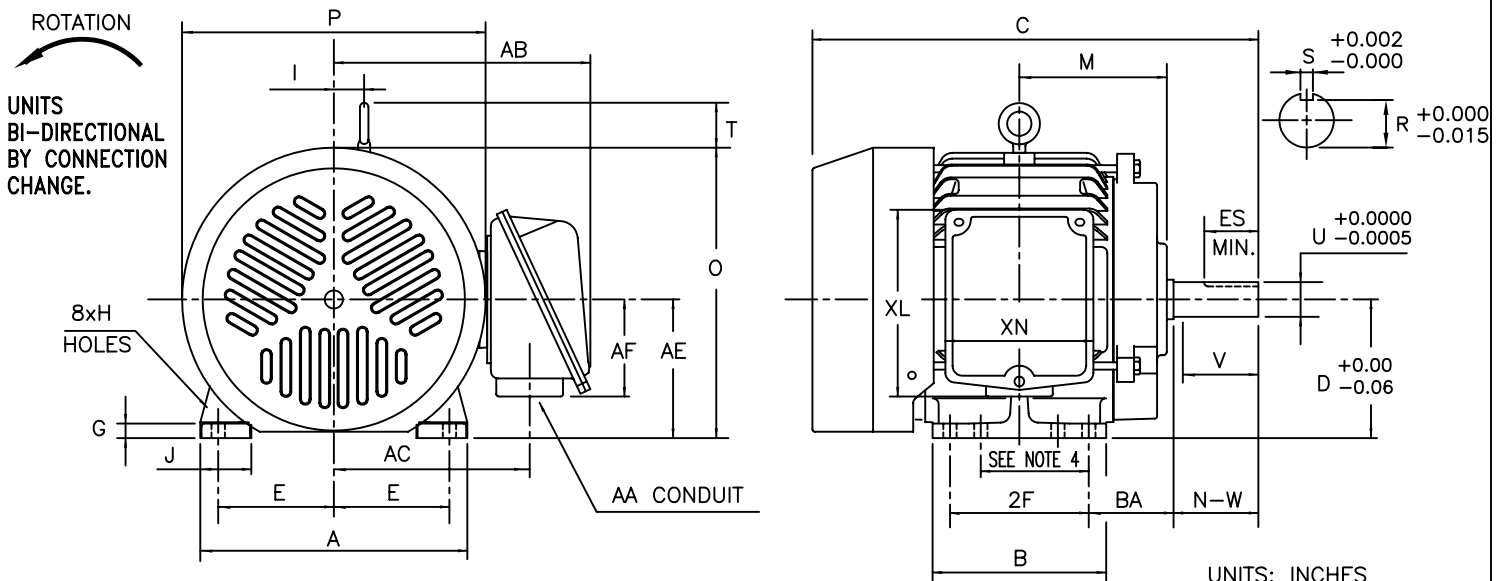


INDEX	MDSL0031-02
REV. LEVEL	5
SHEET	1 OF 1

TOSHIBA/HOUSTON
EQP III "XS" & "841"

TOTALLY-ENCLOSED FAN-COOLED Fr. 182T-184T
HORIZONTAL FOOT-MOUNTED
PREMIUM EFFICIENCY SEVERE DUTY



FRAME SIZE	MOUNTING				CONDUIT BOX						
	E	2F	H	BA	AA	AB	AC	AE	AF	XL	XN
182T	3.75	4.50	0.44	2.75	0.75	8.3	6.4	4.5	3.2	6.1	4.8
184T	3.75	5.50	0.44	2.75	0.75	8.3	6.4	4.5	3.2	6.1	4.8

FRAME SIZE	MOTOR DIMENSIONS										
	A	B	C	D	G	I	J	M	O	P	T
182T/184T	8.7	6.6	15.5	4.50	0.5	1.0	1.6	5.3	9.4	9.8	1.7

FRAME SIZE	SHAFT EXTENSION			KEY SEAT			BEARINGS		MAXIMUM WEIGHT
	N-W	V	U	R	S	ES	LS	OS	
182T/184T	2.75	2.50	1.125	0.986	0.250	1.78	6306UUC3	6306UUC3	107 lbs.

- NOTES:
- DIMENSION V REPRESENTS LENGTH OF STRAIGHT PART OF SHAFT.
 - CONDUIT BOX MAY BE ROTATED IN 90° INCREMENTS AND MAY BE MOUNTED ON OPPOSITE SIDE ON SPECIAL ORDER.
 - KEY DIMENSIONS EQUAL S x S x 1.75 (MOTOR SUPPLIED WITH KEY)
 - DIMENSIONS FOR 182T MOUNTING EQUAL (2F) LOCATED IN 184T SIDE VIEW.
 - MOTOR WEIGHT SHOWN IS MAXIMUM HORSEPOWER IN FRAME.

ALL DATA SUBJECT TO CHANGE WITHOUT NOTICE.
 FOR CONSTRUCTION USE ONLY CERTIFIED DATA.

CERTIFIED DATA

CUSTOMER: _____ P.O. NO.: _____ TAG NO.: _____
 MOTOR MODEL NO.: _____ TOSHIBA FILE NO.: _____
 HP: _____ RPM (SYN.): _____ VOLTAGE: _____ Hz: _____
 FRAME SIZE: _____ LOG NO.: _____ LOG REV. LEVEL: _____
 REMARKS: _____

 PER: _____ ISSUE DATE: _____ SUPERSEDES: _____