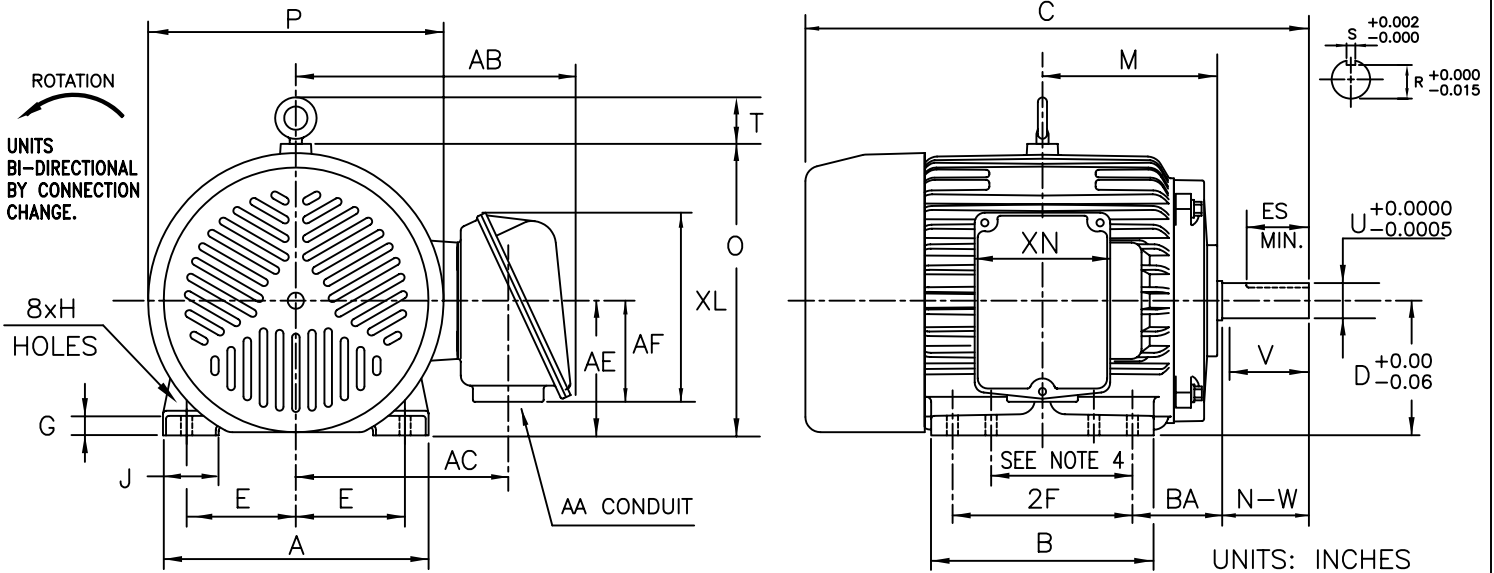


INDEX	MDSL0031-03
REV. LEVEL	5
SHEET	1 OF 1

TOSHIBA/HOUSTON
EQP III "XS" & "841"

TOTALLY-ENCLOSED FAN COOLED
HORIZONTAL FOOT-MOUNTED
PREMIUM EFFICIENCY SEVERE DUTY

Fr. 213T-215T



FRAME SIZE	MOUNTING				CONDUIT BOX						
	E	2F	H	BA	AA	AB	AC	AE	AF	XL	XN
213T	4.25	5.50	0.44	3.50	1.00	10.9	9.3	5.25	3.9	7.3	5.3
215T	4.25	7.00	0.44	3.50	1.00	10.9	9.3	5.25	3.9	7.3	5.3

FRAME SIZE	MOTOR DIMENSIONS									
	A	B	C	D	G	J	M	O	P	T
213T/215T	10.2	8.7	20.3	5.25	0.8	2.0	6.8	11.0	11.5	1.8

FRAME SIZE	SHAFT EXTENSION			KEY SEAT			BEARINGS			MAXIMUM WEIGHT
	N-W	V	U	R	S	ES	LS	OS	OS 2P	
213T/215T	3.38	3.12	1.375	1.201	0.312	2.41	6308C3	6308C3	6308ZC3	202 lbs.

- NOTES:
1. DIMENSION V REPRESENTS LENGTH OF STRAIGHT PART OF SHAFT.
 2. CONDUIT BOX MAY BE ROTATED IN 90° INCREMENTS AND MAY BE MOUNTED ON OPPOSITE SIDE ON SPECIAL ORDER.
 3. KEY DIMENSIONS EQUAL S x S x 2.38 (MOTOR SUPPLIED WITH KEY)
 4. DIMENSIONS FOR 213T MOUNTING EQUAL (2F) LOCATED IN 213T SIDE VIEW.
 5. MOTOR WEIGHT SHOWN IS MAXIMUM HORSEPOWER IN FRAME.

ALL DATA SUBJECT TO CHANGE WITHOUT NOTICE.
FOR CONSTRUCTION USE ONLY CERTIFIED DATA.

CERTIFIED DATA

CUSTOMER: _____ P.O. NO.: _____ TAG NO.: _____
MOTOR MODEL NO.: _____ TOSHIBA FILE NO.: _____
HP: _____ RPM (SYN.): _____ VOLTAGE: _____ Hz: _____
FRAME SIZE: _____ LOG NO.: _____ LOG REV. LEVEL: _____
REMARKS: _____
PER: _____ ISSUE DATE: _____ SUPERSEDES: _____