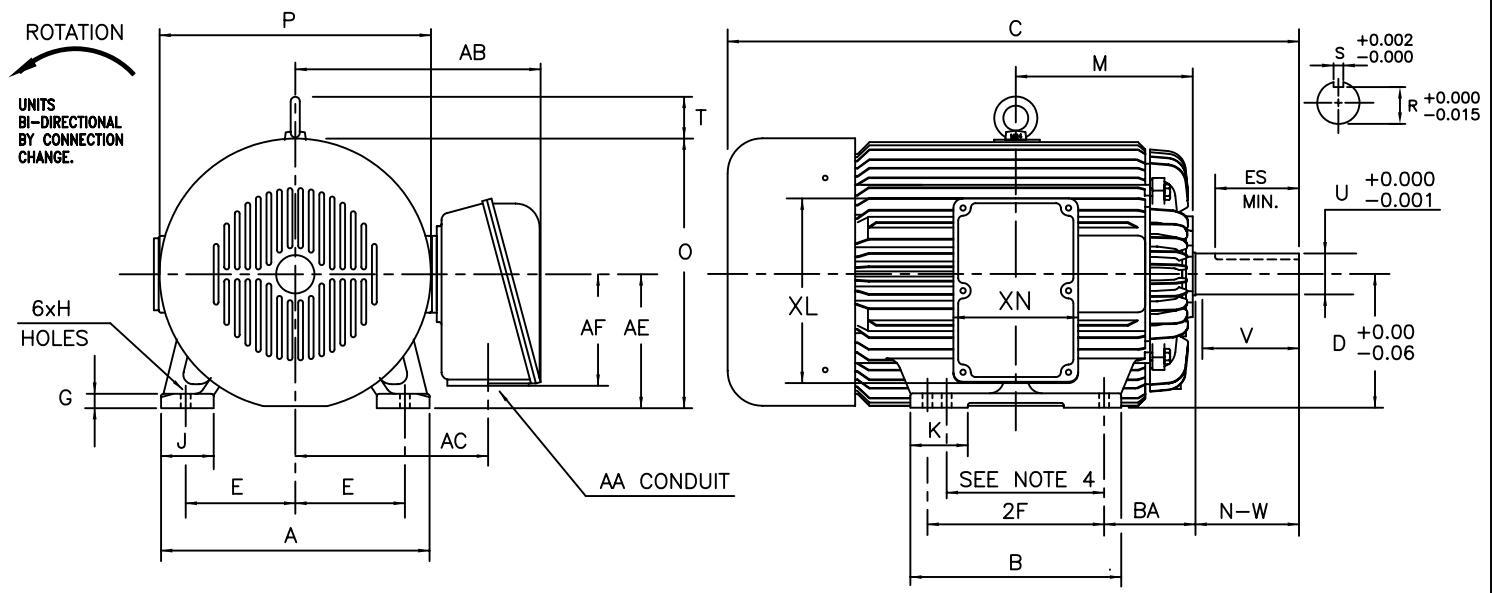


TOSHIBA/HOUSTON TOTALLY-ENCLOSED FAN-COOLED BELT DRIVE
EQP III "XS" & "841" HORIZONTAL FOOT-MOUNTED Fr. 444T-445T
PREMIUM EFFICIENCY SEVERE DUTY



UNITS: INCHES

FRAME SIZE	MOUNTING				CONDUIT BOX							
	E	2F	H	BA	AA	AB	AC	AE	AF	XL	XN	
444T	9.00	14.5	0.81	7.50	3.00	20.1	15.8	11.0	9.2	15.2	10.2	
445T	9.00	16.5	0.81	7.50	3.00	20.1	15.8	11.0	9.2	15.2	10.2	

FRAME SIZE	MOTOR DIMENSIONS											
	A	B	C	D	G	J	K	M	O	P	T	
444T/445T	22.0	19.3	48.8	11.00	1.2	4.3	4.7	15.5	22.1	22.4	3.9	

FRAME SIZE	SHAFT EXTENSION			KEY SEAT			BEARINGS		MAXIMUM WEIGHT
	N-W	V	U	R	S	ES	LS	OS	
444T/445T	8.50	8.25	3.375	2.88	0.875	6.91	NU318C3	6318C3	2010 lbs.

NOTES:

- DIMENSION V REPRESENTS LENGTH OF STRAIGHT PART OF SHAFT.
- CONDUIT BOX MAY BE ROTATED IN 90° INCREMENTS AND MAY BE MOUNTED ON OPPOSITE SIDE ON SPECIAL ORDER.
- KEY DIMENSIONS EQUAL S x S x 6.88 (MOTOR SUPPLIED WITH KEY)
- DIMENSIONS FOR 444T MOUNTING EQUAL (2F) LOCATED IN 444T SIDE VIEW.
- MOTOR WEIGHT SHOWN IS MAXIMUM HORSEPOWER IN FRAME.

ALL DATA SUBJECT TO CHANGE WITHOUT NOTICE. FOR CONSTRUCTION USE ONLY CERTIFIED DATA.

CERTIFIED DATA

CUSTOMER: _____ P.O. NO.: _____ TAG NO.: _____
MOTOR MODEL NO.: _____ TOSHIBA FILE NO.: _____
HP: _____ RPM (SYN.): _____ VOLTAGE: _____ Hz: _____
FRAME SIZE: _____ LOG NO.: _____ LOG REV. LEVEL: _____
REMARKS: _____
PER: _____ ISSUE DATE: _____ SUPERSEDES: _____