

April 2009

## Product Family Overview

*EZ Intelligent Relays Product Family***Product Family Overview**

The EZ intelligent relays bring timers, relays, counters, special functions, inputs and outputs into one compact device that is easily configured. The EZ family of products provides exceptional levels of flexibility together with substantial savings in commissioning time and effort.

The EZ intelligent relays are available in more than 32 different styles that support from 12 I/O up to 320 I/O points providing the ideal solution for lighting, energy management, industrial control, watering, pump control, HVAC and home automation.

Once EZ products are installed, changes are easily accomplished through front panel programming, eliminating the need to change wiring and wiring diagrams increasing the savings realized.

Other terms often used for intelligent relay are relay replacer, control relay and smart relay.

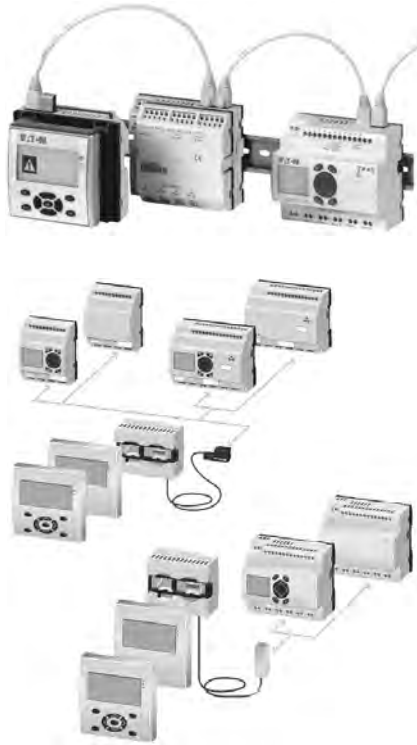
**Application Description**

Generally where multiple relays, timers and pushbuttons are used there is an opportunity to evaluate switching to the EZ Intelligent Relays. Applications span residential, commercial and industrial installations. Typical applications are:

- Car washes.
- Automatic door control.
- Commercial lighting.
- Residential lighting.
- Exterior lighting.
- Pump control, 12V DC automotive control.
- Greenhouse control.
- Crane control.
- Machinery.
- Paper/pulp.
- Elevator control.
- Livestock feed/gate control.
- Irrigation control.
- Cart chargers.
- Heating and air conditioning.

EZ 500/700/800/EZD Intelligent Relays

EZ 500/700/800/EZD Intelligent Relays



EZ 500/700/800/EZD Intelligent Relays

Product Description

Four families make up the EZ Intelligent Relay product line.

**EZ500 Series** — for controlling small applications with up to 12 input/output signals. Models are available with and without displays. DIN rail mounted.

**EZ700 Series** — for controlling medium-sized applications with up to 40 input/output signals. DIN rail mounted.

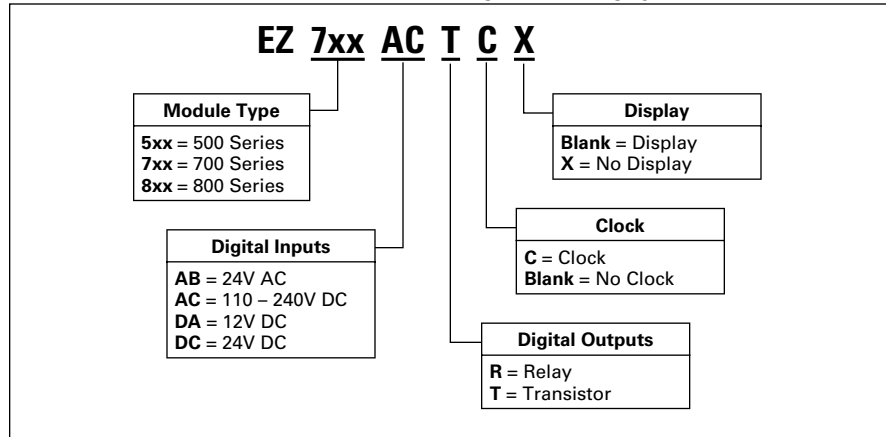
**EZ800 Series** — for controlling large-scale applications with up to 320 input/output signals. Models are available with and without displays. DIN rail mounted.

**EZD Series** — for controlling large-scale applications with up to 320 input/output signals using powerful visualization functions. The EZD display can be linked to the EZ500/700/800 models to provide an enhanced operator interface. Panel mounted.

The **EZ-NET** integrated network called provides easy and inexpensive linking of up to eight EZ800/EZD devices over a distance of up to 1000 meters. The EZ and EZD devices can run their own program or be used as a distributed input/output module.

Catalogue Number Selection

Table 3-165. EZ500/700/800 Module Definition Catalogue Numbering System



Product Selection



EZ500 with Display



EZ500 without Display

Table 3-166. EZ500 Intelligent Relays

Description	Inputs					Outputs		Catalogue Number
	24V AC	110 – 240V AC	12V DC	24V DC	ALG	RY	TRN	
12 I/O, Clock, Display	8	—	—	—	2	4	—	EZ512-AB-RC
12 I/O, Clock, No Display	8	—	—	—	2	4	—	EZ512-AB-RCX
12 I/O, No Clock, Display	—	8	—	—	—	4	—	EZ512-AC-R
12 I/O, Clock, Display	—	8	—	—	—	4	—	EZ512-AC-RC
12 I/O, Clock, No Display	—	8	—	—	—	4	—	EZ512-AC-RCX
12 I/O, Clock, Display	—	—	8	—	2	4	—	EZ512-DA-RC
12 I/O, Clock, No Display	—	—	8	—	2	4	—	EZ512-DA-RCX
12 I/O, No Clock, Display	—	—	—	8	2	4	—	EZ512-DC-R
12 I/O, Clock, Display	—	—	—	8	2	4	—	EZ512-DC-RC
12 I/O, Clock, No Display	—	—	—	8	2	4	—	EZ512-DC-RCX
12 I/O, Clock, Display	—	—	—	8	2	—	4	EZ512-DC-TC
12 I/O, Clock, No Display	—	—	—	8	2	—	4	EZ512-DC-TCX

Note: Analogue inputs optional.

April 2009

EZ 500/700/800/EZD Intelligent Relays



EZ700 with Display



EZ700 without Display

Table 3-167. EZ700 Intelligent Relays

Description	Inputs					Outputs		Catalogue Number
	24V AC	110 – 240V AC	12V DC	24V DC	Analogue	Relay	Transistor	
18 I/O, Clock, Display	12	—	—	—	4	6	—	EZ719-AB-RC
18 I/O, Clock, No Display	12	—	—	—	4	6	—	EZ719-AB-RCX
18 I/O, Clock, Display	—	12	—	—	—	6	—	EZ719-AC-RC
18 I/O, Clock, No Display	—	12	—	—	—	6	—	EZ719-AC-RCX
18 I/O, Clock, Display	—	—	12	—	4	6	—	EZ719-DA-RC
18 I/O, Clock, No Display	—	—	12	—	4	6	—	EZ719-DA-RCX
18 I/O, Clock, Display	—	—	—	12	4	6	—	EZ719-DC-RC
18 I/O, Clock, No Display	—	—	—	12	4	6	—	EZ719-DC-RCX
20 I/O, Clock, Display	—	—	—	12	4	—	8	EZ721-DC-TC
20 I/O, Clock, No Display	—	—	—	12	4	—	8	EZ721-DC-TCX

Note: Analogue inputs optional.



EZ800 with Display



EZ800 without Display

Table 3-168. EZ800 Intelligent Relays

Description	Inputs			Outputs			Catalogue Number
	110 – 240V AC	24V DC	Analogue	Relay	Transistor	Analogue	
18 I/O, Clock, Display	12	—	—	6	—	—	EZ819-AC-RC
18 I/O, Clock, No Display	12	—	—	6	—	—	EZ819-AC-RCX
18 I/O, Clock, Display	—	12	4	6	—	—	EZ819-DC-RC
18 I/O, Clock, No Display	—	12	4	6	—	—	EZ819-DC-RCX
19 I/O, Clock, Display	—	12	4	6	—	1	EZ820-DC-RC
19 I/O, Clock, No Display	—	12	4	6	—	1	EZ820-DC-RCX
20 I/O, Clock, Display	—	12	4	—	8	—	EZ821-DC-TC
20 I/O, Clock, No Display	—	12	4	—	8	—	EZ821-DC-TCX
21 I/O, Clock, Display	—	12	4	—	8	1	EZ822-DC-TC
21 I/O, Clock, No Display	—	12	4	—	8	1	EZ822-DC-TCX

Note: Analogue inputs optional, analogue outputs optional.

**EZ 500/700/800/EZD Intelligent Relays**



**EZD-80**



**EZD-CP8**



**EZD I/O**



**EZD Assembly**

**Table 3-169. EZD Displays (EZD-80) and EZD Controllers (EZD-CP8)**

Description	Catalogue Number
EZD, No Buttons	<b>EZD-80</b>
EZD, Buttons	<b>EZD-80-B</b>
EZD CPU with 24V DC, Power Supply, Clock	<b>EZD-CP8-ME</b>
EZD CPU with 24V DC, Power Supply, Clock, EZ-Net	<b>EZD-CP8-NT</b>
EZD CPU with 100 – 240V AC, Power Supply, Clock	<b>EZD-AC-CP8-ME</b>
EZD CPU with 100 – 240V AC, Power Supply, Clock, EZ-Net	<b>EZD-AC-CP8-NT</b>



**EZD-CP4-800 Attached to EZ-80 Display and EZ800 Unit**

**Table 3-170. EZD Display to EZ Communication Modules (EZD-CP4)**

Description	Catalogue Number
EZD Display to EZ500/700 Communication Module with EZ500/700 Communication Cable (EZD-CP4-500-CAB5)	<b>EZD-CP4-500</b>
EZD Display to EZ800 Communication Module with EZ800 Communication Cable (EZD-CP4-800-CAB5)	<b>EZD-CP4-800</b>

April 2009

EZ 500/700/800/EZD Intelligent Relays

## Technical Data and Specifications

**Table 3-171. EZ500 Series**

Type	EZ512-AB...	EZ512-AC...	EZ512-DA...	EZ512-DC-R...	EZ512-DC-TC.
Supply Voltage	24V AC	100 – 240V AC	12V DC	24V DC	24V DC
Heat Dissipation	5 VA	5 VA	2W	2W	2W
Continuous Current Outputs (1)	8 A	8 A	8 A	8 A	0.5 A
Short-circuit Proof with Power Factor 1	Line Protection B16, 600 A				—
Short-circuit Proof with Power Factor 0.7...0.7	Line Protection B16, 900 A				—
Mounting	On Top-hat Rail to DIN 50022, 35 mm or Screw Mounting with EZB4-101-GF1 Fixing Brackets				

**Table 3-172. EZ700 Series**

Type	EZ719-AB...	EZ719-AC...	EZ719-DA...	EZ719-DC-RC.	EZ721-DC-TC.
Supply Voltage	24V AC	100 – 240V AC	12V DC	24V DC	24V DC
Heat Dissipation	7 VA	10 VA	3.5W	3.5W	3.5W
Continuous Current Outputs (1)	8 A	8 A	8 A	8 A	0.5 A
Short-circuit Proof with Power Factor 1	Line protection B16, 600 A				—
Short-circuit Proof with Power Factor 0.7...0.7	Line protection B16, 900 A				—
Mounting	On Top-hat Rail to DIN 50022, 35 mm or Screw Mounting with EZB4-101-GF1 Fixing Brackets				

**Table 3-173. EZ800 Series**

Type	EZ819-AC...	EZ819-DC-RC.	EZ820-DC-RC.	EZ821-DC-TC.	EZ822-DC-TC.
Supply Voltage	100 – 240V AC	24V DC	24V DC	24V DC	24V DC
Heat Dissipation	10 VA	3.4W	3.4W	3.4W	3.4W
Continuous Current Outputs (1)	8 A	8 A	8 A	8 A	0.5 A
Short-circuit Proof with Power Factor 1	Line protection B16, 600 A				—
Short-circuit Proof with Power Factor 0.7...0.7	Line protection B16, 900 A				—
Mounting	On Top-hat Rail to DIN 50022, 35 mm or Screw Mounting with EZB4-101-GF1 Fixing Brackets				

**Table 3-174. EZD CP4 and CP8 Modules**

Type	EZD-80...	EZD-CP4...	EZD-CP8...	EZD-AC-CP8...
Supply Voltage	Supply from -CP	24V DC	24V DC	100 – 240V AC
Heat Dissipation	3W	1.5W	3W	8VA
Mounting	Front Mounting in 2 x 22.5 mm Standard Drill Holes	Snap Fitted to EZD-80	Snap Fitted to EZD-80 or on Top-hat Rail to DIN 50022, 35 mm or Screw Mounting with EZB4-101-GF1 Fixing Brackets	

**Table 3-175. EZ500, EZ700, EZ800, EZD-80, EZD-CP4, EZD-CP8 Modules**

Type	EZD-80...	EZ500/700/800, EZD-CP4/CP8
Connection Cables	—	0.2 – 4.0 mm <sup>2</sup> (AWG 22-12), solid 0.2 - 2.5 mm <sup>2</sup> (AWG 22-12), flexible
Degree of Protections	IP65	IP 20
RFI Suppression	EN 55011, EN 55022 Class B, IEC 61000-6-1,2,3,4	EN 55011, EN 55022 Class B, IEC 61000-6-1,2,3,4
Ambient Operating Temperature	Clearly Legible at -5 to 50°C	-25 to 55°C
Transport and Storage Temperature	-40 to 70°C	-40 to 70°C
Certification, Standards	EN 50178, IEC/EN 60947, UL®, CSA®	EN 50178, IEC/EN 60947, UL, CSA



April 2009

EZ 500/700/800/EZD Intelligent Relays

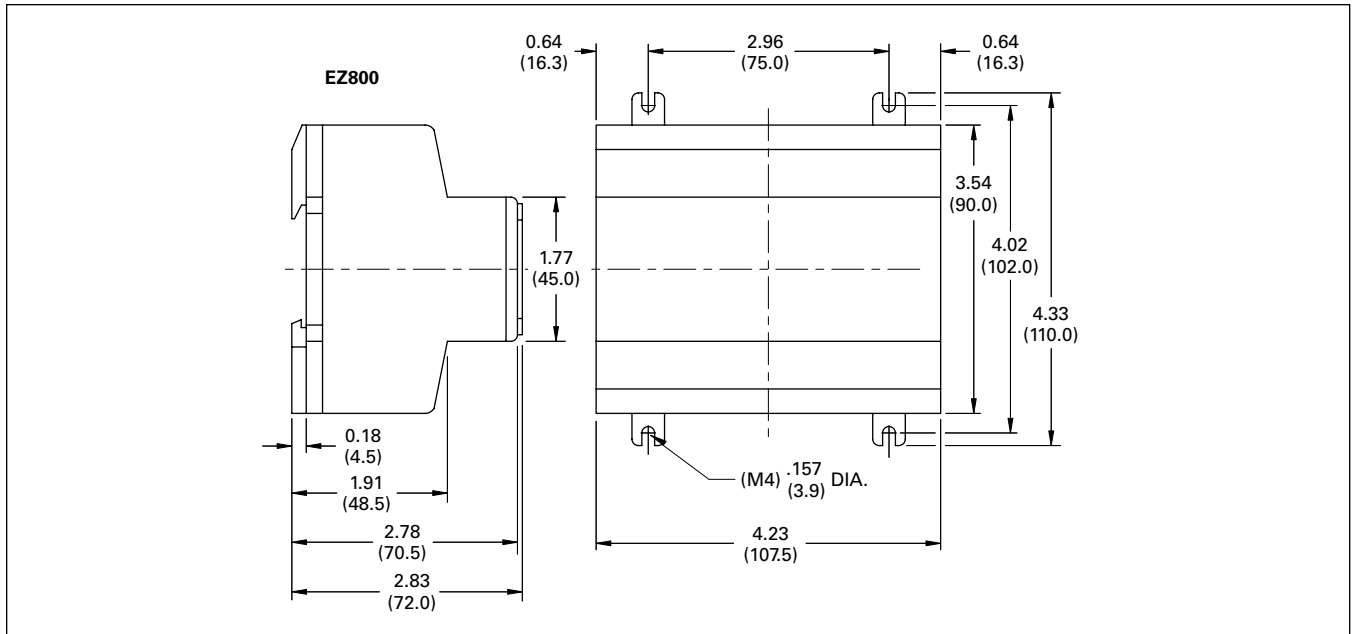


Figure 3-101. EZ800 Series Dimensions in Inches (mm), Drawing Number MD05013003E

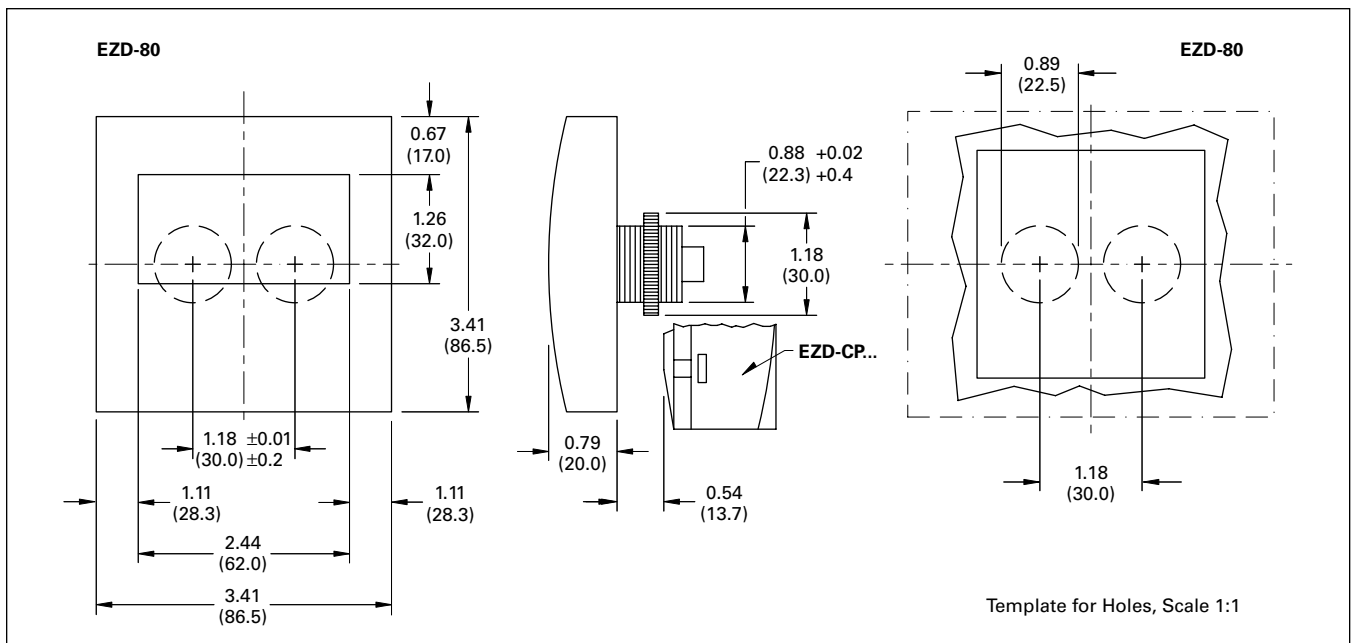


Figure 3-102. EZD-80 Series Dimensions in Inches (mm), Drawing Number MD05013005E

EZ 500/700/800/EZD Intelligent Relays

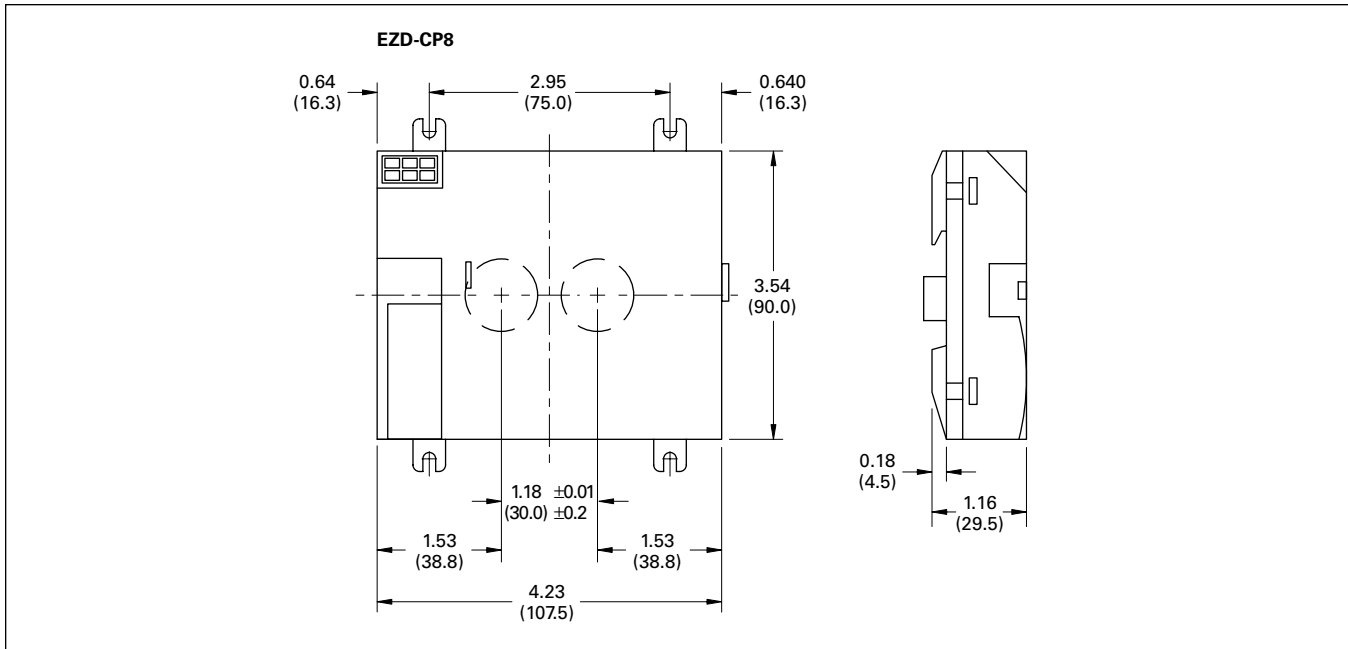


Figure 3-103. EZD-CP8 Series Dimensions in Inches (mm), Drawing Number MD05013006E

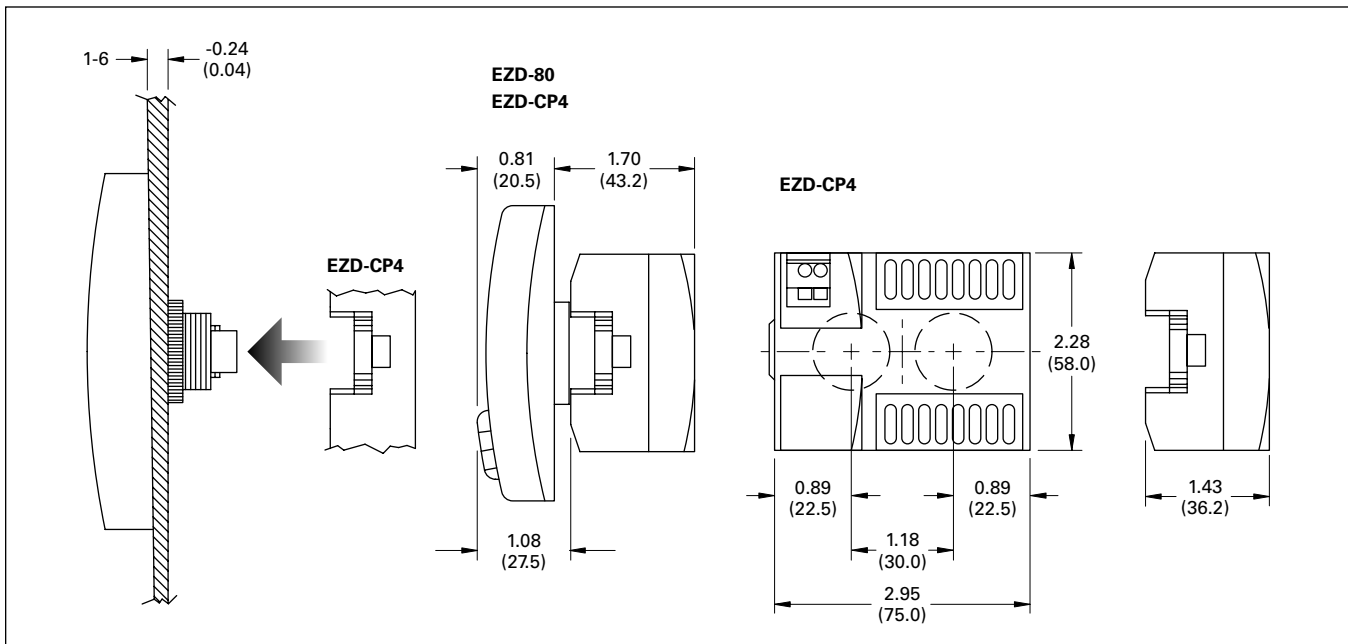


Figure 3-104. EZD-CP4, EZD-80 and EZD-CP4 Series Combined Dimensions in Inches (mm), Drawing Number MD013013E



## EZD Controller I/O Modules

### Product Selection

**Table 3-176. EZD Controller I/O Modules**

Description	Inputs			Outputs			Catalogue Number
	110 – 240V AC	24V DC	Analogue	Relay	Transistor	Analogue	
16 I/O	12	—	—	4	—	—	EZD-AC-R16 EZD-R16 EZD-RA17
16 I/O	—	12	4	4	—	—	
17 I/O	—	12	4	4	—	1	
16 I/O	—	12	4	—	4	—	EZD-T16 EZD-TA17
17 I/O	—	12	4	—	4	1	

**Note:** Analogue inputs optional.

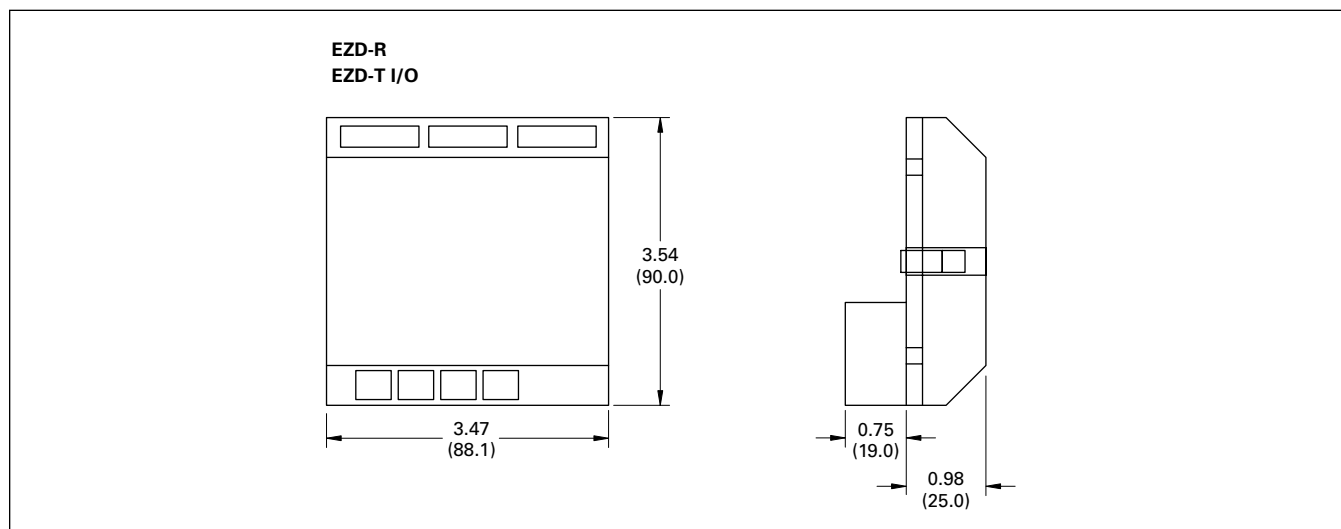
### Technical Data and Specifications

**Table 3-177. EZD Specifications**

Type	EZD-AC-R16	EZD-R16	EZD-RA17	EZD-T16	EZD-TA17
Supply Voltage	Supply via EZD-CP8 module				
Heat Dissipation	0.5W	0.5W	0.5W	0.5W	0.5W
Continuous Current Outputs ①	8 A	8 A	8 A	0.5 A	0.5 A
Short-circuit Proof with Power Factor 1	Line protection B16, 600 A			—	—
Short-circuit Proof with Power Factor 0.7...0.7	Line protection B16, 900 A			—	—
Connection Cables	0.2 – 4.0 mm <sup>2</sup> (AWG 22-12), Solid 0.2 – 2.5 mm <sup>2</sup> (AWG 22-12), Flexible				
Degree of Protections	IP 20	IP 20	IP 20	IP 20	IP 20
RFI Suppression	EN 55011, EN 55022 Class B, IEC 61000-6-1,2,3,4				
Ambient Operating Temperature	-25 to 55°C	-25 to 55°C	-25 to 55°C	-25 to 55°C	-25 to 55°C
Transport and Storage Temperature	-40 to 70°C	-40 to 70°C	-40 to 70°C	-40 to 70°C	-40 to 70°C
Certification, Standards	EN 50178, IEC/EN 60947, UL, CSA				
Mounting	Snap Fitted to EZD-CP8 Module				

① Relay = 8 A (10 A to UL) with resistive load, 3 A with inductive load/transistor outputs = 0.5 A/24V DC, max 4 outputs switchable in parallel.

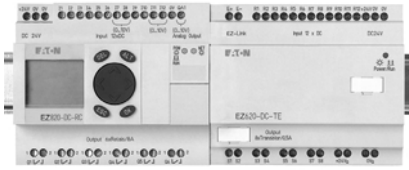
### Dimensions



**Figure 3-105. EZD-R/EZD-T I/O Module Dimensions in Inches (mm), Drawing Number MD05013007E**

EZ/EZD Expansion Modules

EZ/EZD Expansion Modules



EZ/EZD Expansion Modules

Product Description

Expansion modules are available for increasing the input/output of the EZ700/800 and EZD intelligent relays to 24 inputs and up to 16 outputs. Expansion modules can be mounted directly to the EZ/EZD unit or up to 98 ft. (30 m) away using coupling module EZ200-EZ.

Product Selection

Table 3-178. EZ/EZD I/O Expansion Modules

Description	Inputs		Outputs		Catalogue Number
	110 – 240V AC	24V DC	RY	TRN	
2 I/O Expansion	—	—	2	—	EZ202-RE
18 I/O Expansion	12	—	6	—	EZ618-AC-RE
18 I/O Expansion	—	12	6	—	EZ618-DC-RE
20 I/O Expansion	—	12	—	8	EZ620-DC-TE
Coupling Module for Remote Mounting of Expansion Modules					EZ200-EZ

Technical Data and Specifications

Table 3-179. EZ Specifications

Type	EZ202-RE	EZ618-AC-RE	EZ618-DC-RE	EZ620-DC-TE	EZ200EZ
Supply Voltage	—	100 – 240V AC	24V AC	24V AC	—
Heat Dissipation	1 W	10 VA	4 W	4 W	1 W
Continuous Current Outputs ①	8 A	8 A	8 A	0.5 A	—
Short-circuit Proof with Power Factor 1	Line Protection B16, 600 A				—
Short-circuit Proof with Power Factor 0.7...0.7	Line Protection B16, 900 A				—
Connection Cables	0.2 – 4.0 mm <sup>2</sup> (AWG 22-12), Solid 0.2 – 2.5 mm <sup>2</sup> (AWG 22-12), Flexible				
Degree of Protections	IP 20	IP 20	IP 20	IP 20	IP 20
RFI Suppression	EN 55011, EN 55022 Class B, IEC 61000-6-1,2,3,4				
Ambient Operating Temperature	-25 to 55°C	-25 to 55°C	-25 to 55°C	-25 to 55°C	-25 to 55°C
Transport and Storage Temperature	-40 to 70°C	-40 to 70°C	-40 to 70°C	-40 to 70°C	-40 to 70°C
Certification, Standards	EN 50178, IEC/EN 60947, UL, CSA				
Mounting	On Top-hat Rail to DIN 50022, 35 mm or Screw Mounting with EZB4-101-GF1 Fixing Brackets				

① Relay = 8A (10 A to UL) with resistive load, 3 A with inductive load/transistor outputs = 0.5 A/24V DC, max 4 outputs switchable in parallel.

Dimensions

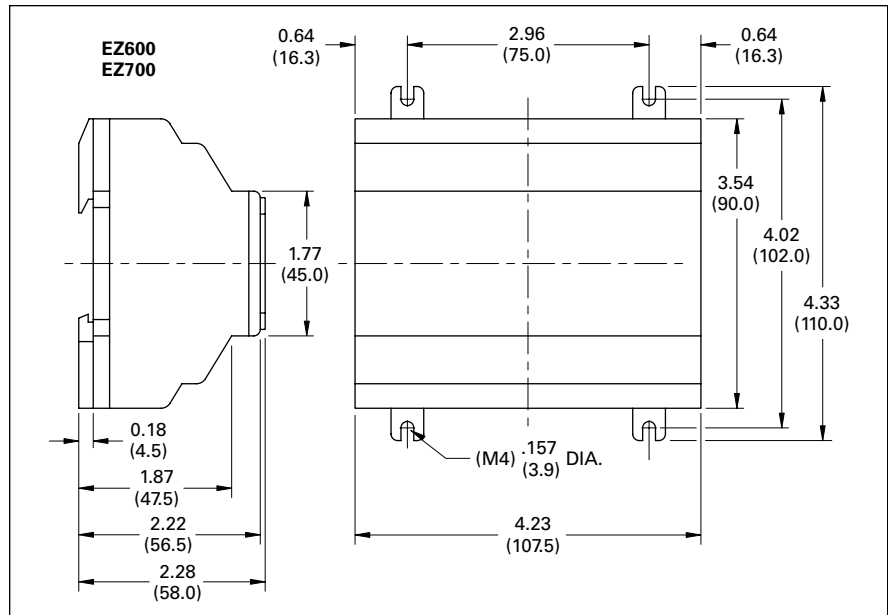
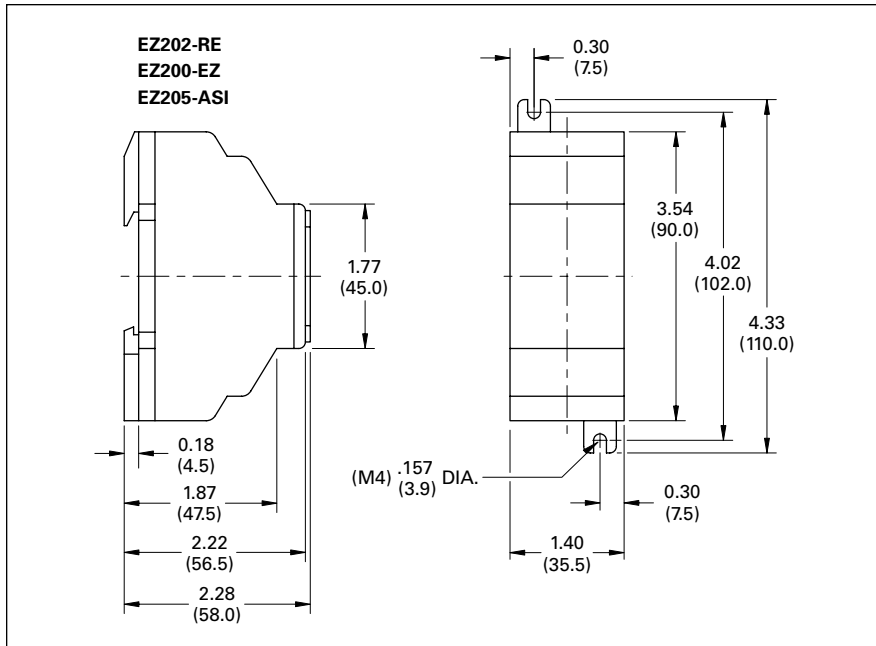


Figure 3-106. EZ600 and EZ700 Series Dimensions in Inches (mm), Drawing Number MD05013002E

April 2009

**EZ/EZD Expansion Modules**



**Figure 3-107. EZ202-RE/EZ200-EZ/EZ205-ASI Series Dimensions in Inches (mm), Drawing Number MD05013012E**

EZ/EZD Communication  
Modules

EZ204-DP Communication Module

## Product Description

Four modules are available for easily connecting to world-standard networks. The communication modules can be used with the EZ700/800 and EZD intelligent relays.

Available communication modules support:

- PROFIBUS-DP.
- AS-I (Actuator Sensor Interface) networks.
- CANopen.
- DeviceNet.

All modules act as a gateway and operate exclusively as a slave station on the network.

## Product Selection

Table 3-180. EZ/EZD Communication Interface Modules

Description	Catalogue Number
PROFIBUS-DP Slave Interface Module	EZ204-DP
AS-Interface Slave with 4 In and 4 Out Interface Module	EZ205-ASI
CANopen Interface Module	EZ221-CO
DeviceNet Slave Interface Module	EZ222-DN

## Technical Data and Specifications

Table 3-181. EZ/EZD Specifications

Type	EZ204-DP	EZ205-ASI	EZ221-CO	EZ222-DN
Supply Voltage	24V DC	24V DC	24V DC	24V DC
Heat Dissipation	2W	1W	1W	1W
Connection Cables	0.2 – 4.0 mm <sup>2</sup> (AWG 22-12), Solid 0.2 – 2.5 mm <sup>2</sup> (AWG 22-12), Flexible			
Degree of Protections	IP 20	IP 20	IP 20	IP 20
RFI Suppression	EN 55011, EN 55022 Class B, IEC 61000-6-1,2,3,4			
Ambient Operating Temperature	-25 to 55°C	-25 to 55°C	-25 to 55°C	-25 to 55°C
Transport and Storage Temperature	-40 to 70°C	-40 to 70°C	-40 to 70°C	-40 to 70°C
Certification, Standards	EN 50178, IEC/EN 60947, UL, CSA			
Mounting	On Top-hat Rail to DIN 50022, 35 mm or Screw Mounting with EZB4-101-GF1 Fixing Brackets			

## Dimensions

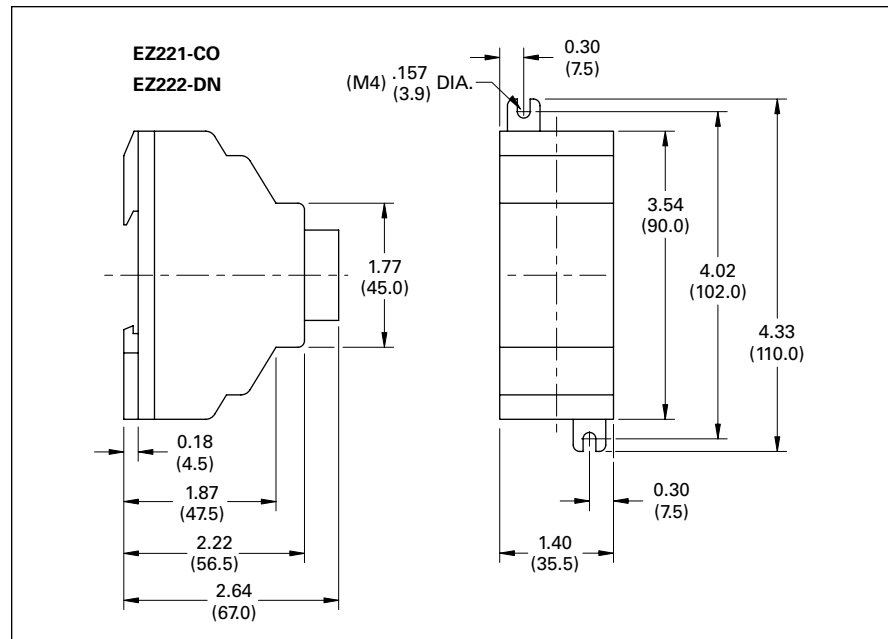


Figure 3-108. EZ221-CO/EZ222-DN Series Dimensions in Inches (mm), Drawing Number MD05013010E

April 2009

EZ Software

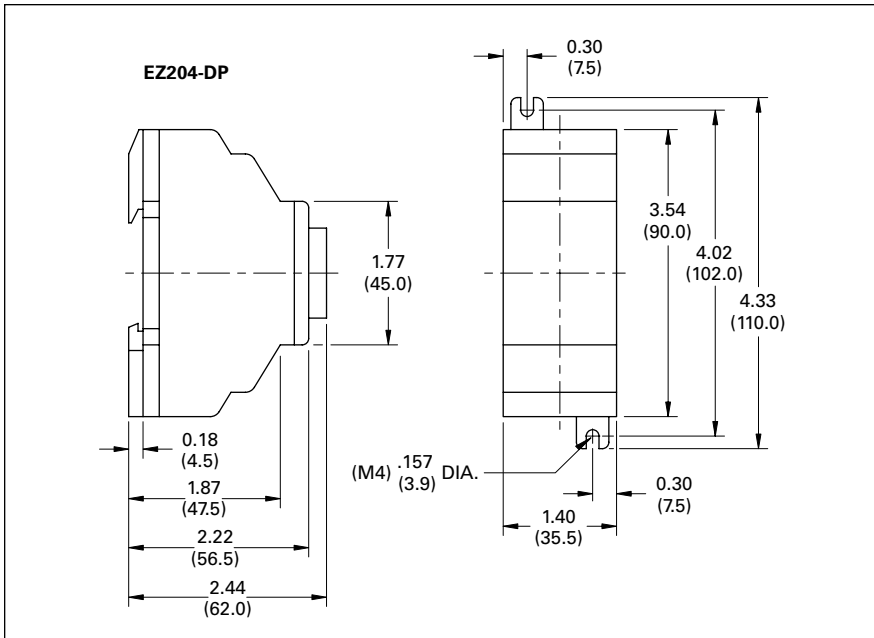


Figure 3-109. EZ204-DP Series Dimensions in Inches (mm), Drawing Number MD05013011E

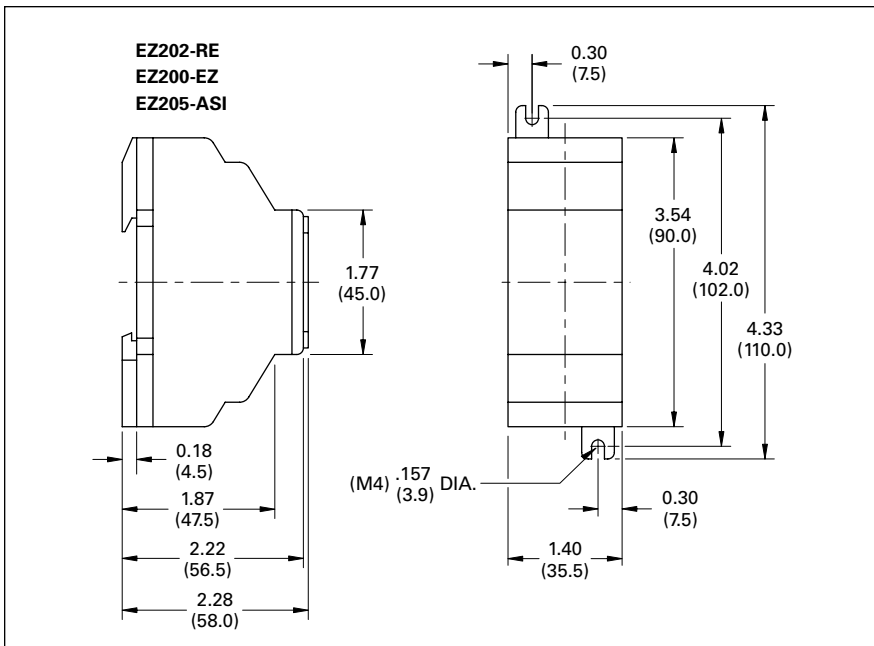


Figure 3-110. EZ202-RE/EZ200-EZ/EZ205-ASI Series Dimensions in Inches (mm), Drawing Number MD05013012E

### EZ Software



EZSoft Software

### Product Description

The EZSoft software is used to program all of the EZ and EZD controllers and displays. The Windows-based software provides straightforward circuit diagram input and editing and the diagrams can be displayed in the format desired. When EZ800 and EZD controllers are connected using EZ-NET, all connected devices can be accessed and their programs loaded from a single controller.

EZSoft includes an integrated offline simulation tool that allows users to test a circuit diagram before commissioning.

### Product Selection

Table 3-182. EZ/EZD Software

Description	Catalogue Number
Programming Software for EZ500/700/800 and EZD	EZSOFT

## EZ/EZD Power Supplies

## Product Selection

Table 3-183. EZ/EZD-CP8 Power Supplies

Description	Catalogue Number
100 – 240V AC Input to 12V DC at 20 mA/24V DC at 250 mA	EZ200-POW
100 – 240V AC Input to 24V DC at 1.25 A	EZ400-POW

## Technical Data and Specifications

Table 3-184. EZ Specifications

Type	EZ200-POW	EZ400-POW
Supply Voltage	100 – 240V AC	100 – 240V AC
Maximum Range	85 – 264V AC	85 – 264V AC
Output Voltage	24V DC ( $\pm 3\%$ )	24V DC ( $\pm 3\%$ )
Output Current (Rated Value)	0.25 A	1.25 A
Overcurrent Limitation Form	0.3 A	1.4 A
Short-circuit Proof (Secondary)	YES	YES
Overload Proof	YES	YES
Potential Isolation (prim/sec.)	YES, SELV, (to EN 600950, VDE 805)	YES, SELV, (to EN 600950, VDE 805)
Others	Additional Output Voltage 12 dc, 20 mA	Additional Output Voltage 12 dc, 20 mA
Connection Cables	0.2 – 4.0 mm <sup>2</sup> (AWG 22-12), Solid 0.2 – 2.5 mm <sup>2</sup> (AWG 22-12), Flexible	0.2 – 4.0 mm <sup>2</sup> (AWG 22-12), Solid 0.2 – 2.5 mm <sup>2</sup> (AWG 22-12), Flexible
Degree of Protections	IP 20	IP 20
RFI Suppression	EN 55011, EN 55022 Class B, IEC 61000-6-1, 2, 3, 4	EN 55011, EN 55022 Class B, IEC 61000-6-1, 2, 3, 4
Ambient Operating Temperature	-25 to 55°C	-25 to 55°C
Transport and Storage Temperature	-40 to 70°C	-40 to 70°C
Certification, Standards	EN 50178, IEC/EN 60947, UL, CSA	EN 50178, IEC/EN 60947, UL, CSA
Mounting	On Top-hat Rail to DIN 50022, 35 mm or Screw Mounting with EZB4-101-GF1 Fixing Brackets	

## Dimensions

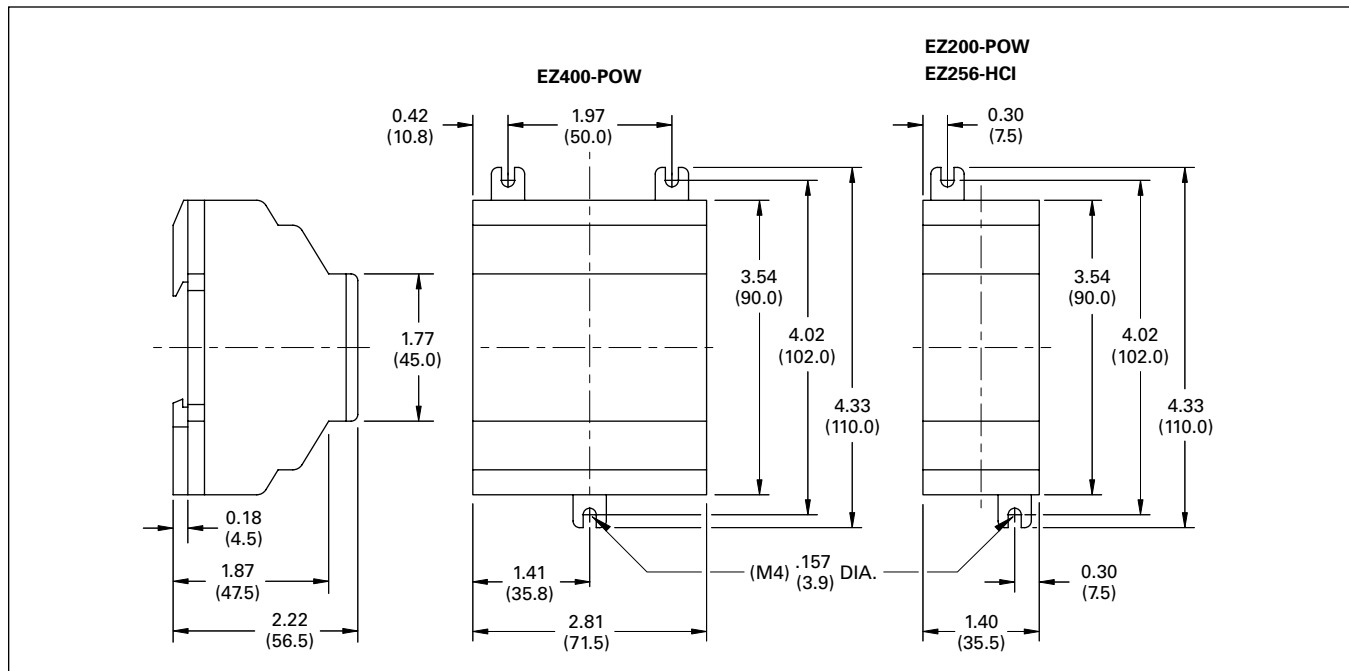


Figure 3-111. EZ200-POW/EZ256-HCI and EZ400-POW Series Dimensions in Inches (mm), Drawing Number MD05013004E

April 2009

**EZ/EZD Accessories**

**EZ/EZD Accessories**



**EZ700/500 Panel Window and Mounting Kit**

**Product Selection**

**Table 3-185. EZ/EZD Memory Storage Modules**

Description	Catalogue Number
EZ500/700 32K Memory Storage Module	<b>EZ-M-32K</b>
EZ800/EZD 256K Memory Storage Module	<b>EZ-M-256K</b>

**Table 3-186. EZ/EZD Programming Cables**

Description	Catalogue Number
EZ500/700 to PC Cable	<b>EZ-PC-CAB</b>
EZ800/EZD to PC Cable	<b>EZ800-PC-CAB</b>

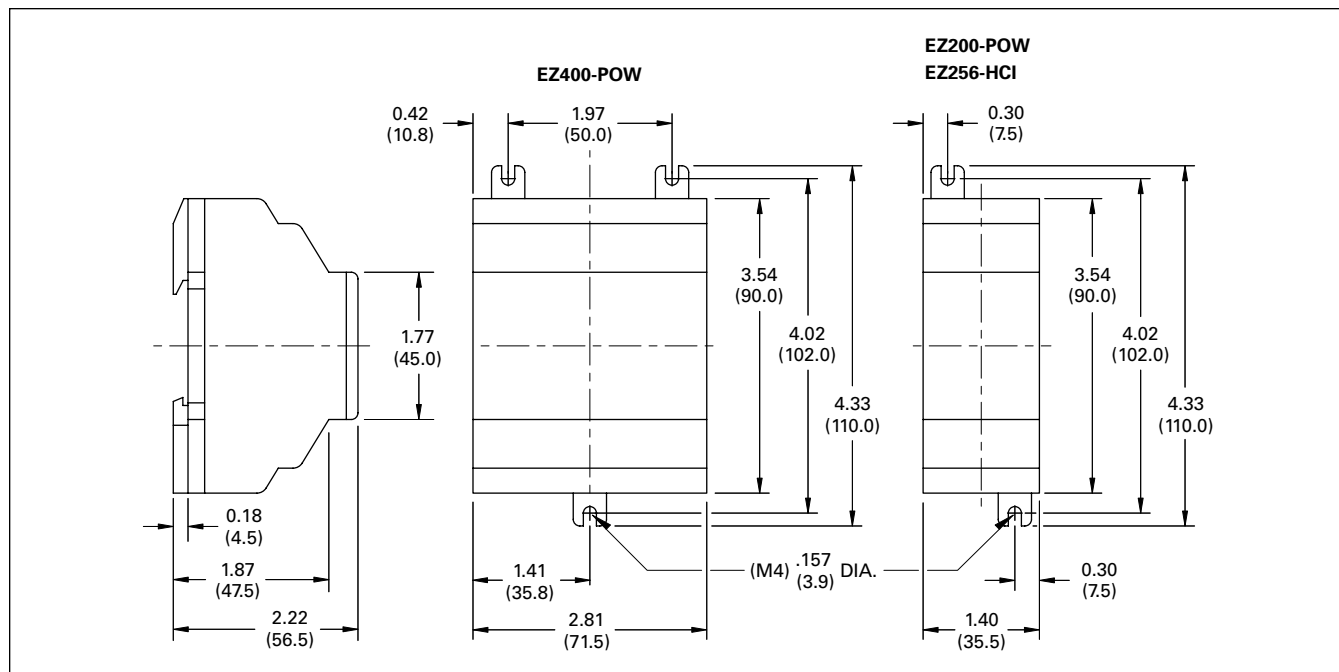
**Table 3-187. EZ/EZD Cables and Connectors**

Description	Catalogue Number
EZ500/700 to EZD-CP4 Communication Cable, 5 m	<b>EZD-CP4-500-CAB5</b>
EZ800 to EZD-CP8 Communication Cable, 2 m	<b>EZD-800-CAB</b>
EZ800 to EZD-CP8 Communication Cable, 5 m	<b>EZD-800-CAB5</b>
EZ800 to EZD-CP4 Communication Cable, 5 m	<b>EZD-CP4-800-CAB5</b>
EZ800/EZD EZ-NET Cable, 0.3 m	<b>EZ-NT-30</b>
EZ800/EZD EZ-NET Cable, 0.8 m	<b>EZ-NT-80</b>
EZ800/EZD EZ-NET Cable, 1.5 m	<b>EZ-NT-150</b>
EZ800/EZD Network Termination Resistor, 2/Pack	<b>EZ-NT-R</b>
EZ800/EZD EZ-NET Cable (cable only, no connectors, see EZ-NT-RJ45), 100 m	<b>EZ-NT-CAB</b>
RJ45 Network Connectors for EZ-NET Cable (EZ-NT-CAB), 10/Pack	<b>EZ-NT-RJ45</b>

**Table 3-188. EZ/EZD Miscellaneous Parts**

Description	Catalogue Number
EZ500 Relay Simulator	<b>EZ412-DC-SIM-NA</b>
EZ500 Panel Window	<b>EZSKF-FF4</b>
EZ700/800 Panel Window	<b>EZSKF-FF6</b>
EZ500/700/800 Panel Window Mounting Kit to Front Mount Units	<b>EZSKF-HA</b>
EZ/EZD Panel Mount Brackets, 9/Pack	<b>EZB4-101-GF1</b>
EZ/EZD Grounding Kit	<b>EZB4-102-KS1</b>
EZD Display DIN Rail Mount Kit	<b>EZD-TS144</b>
EZD Display Protective Membrane Cover	<b>EZD-XM-80</b>
EZD Display Protective Plastic Cover	<b>EZD-XS-80</b>
EZ/EZD 6 Channel Noise Suppression Adapter	<b>EZ256-HCI</b>
EZ/EZD Spare Interface Connector, Base to Expander	<b>EZ-LINK-DS</b>
EZSoft Configuration Software	<b>EZSOFT</b>
EZ Starter Kit (includes EZ512-DC-RC, EZ-PC-CAB, EZ412-DC-SIM-NA, EZSoft)	<b>EZSTARTKIT1</b>

**Dimensions**



**Figure 3-112. EZ200-POW/EZ256-HCI and EZ400-POW Series Dimensions in Inches (mm), Drawing Number MD05013004E**

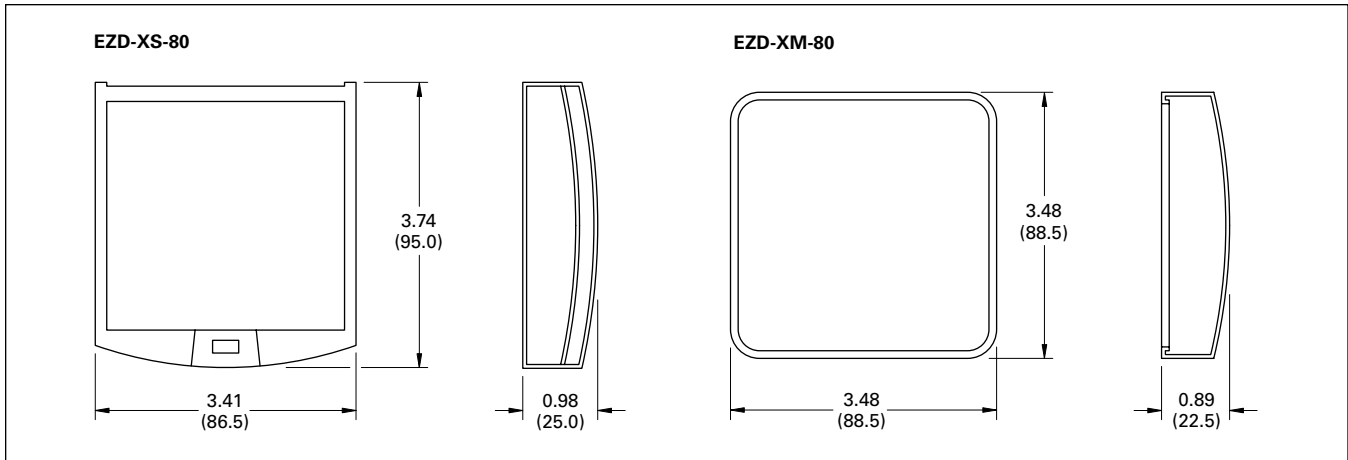


Figure 3-113. EZD-XS-80 and EZD-XM-80 Series Dimensions in Inches (mm), Drawing Number MD05013009E

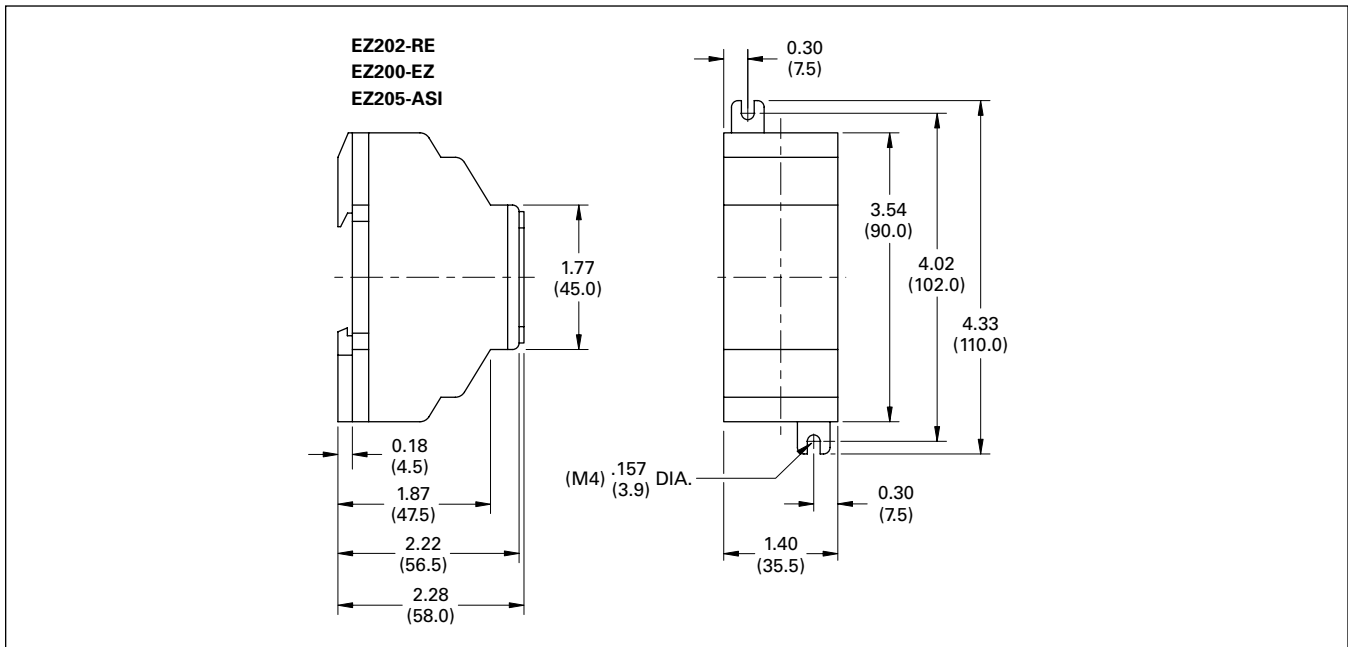


Figure 3-114. EZ202-RE/EZ200-EZ/EZ205-ASI Series Dimensions in Inches (mm), Drawing Number MD05013012E



April 2009

EZ/EZD Accessories

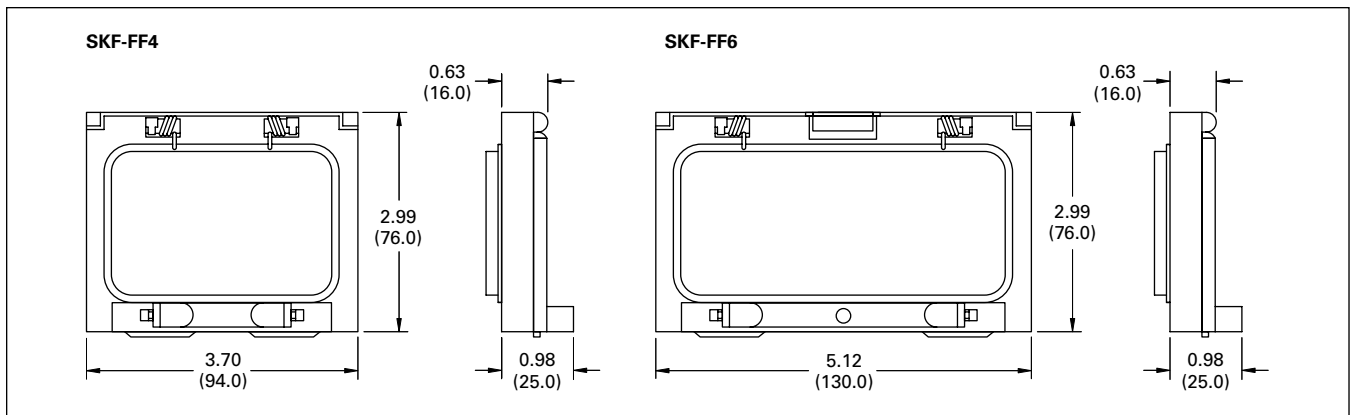


Figure 3-115. EZSKF-FF4 and EZSKF-FF6 Series Dimensions in Inches (mm), Drawing Number MD05013014E

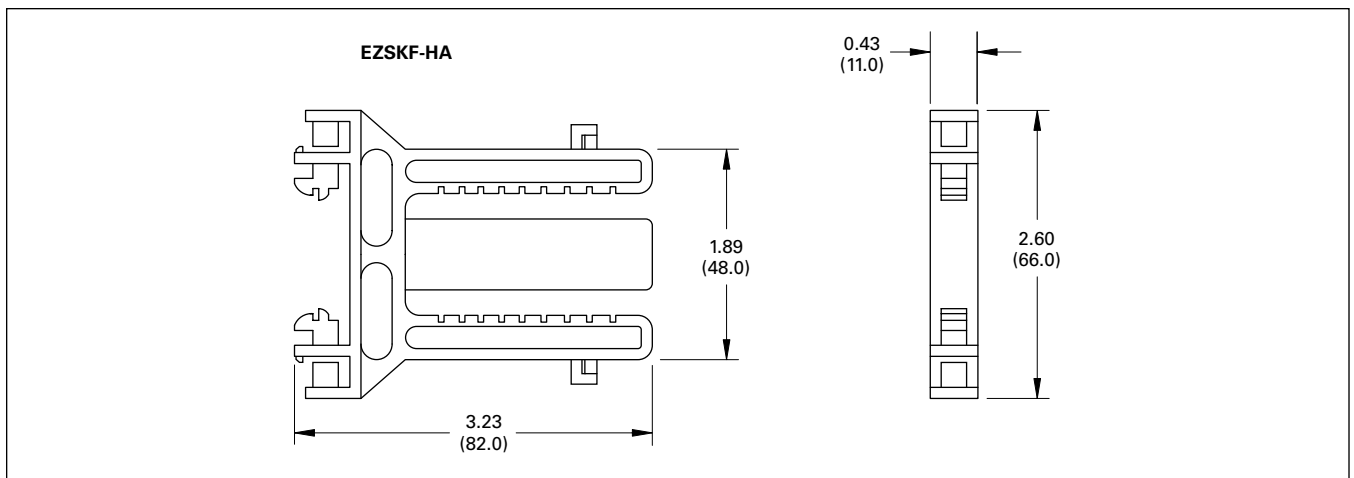


Figure 3-116. EZSKF-HA Series Dimensions in Inches (mm), Drawing Number MD05013015E

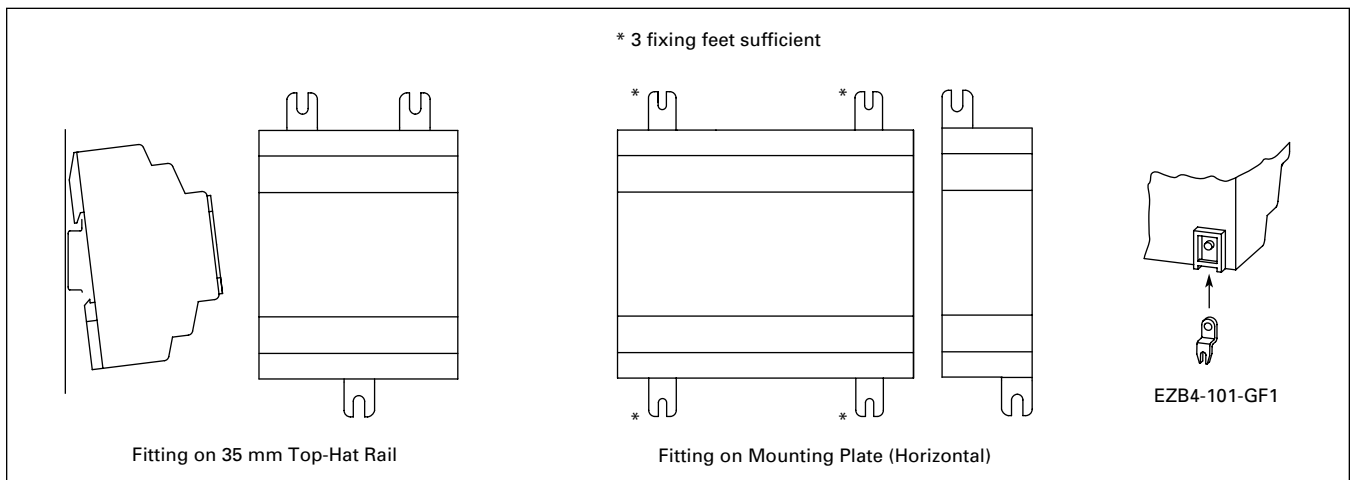


Figure 3-117. EZB4-101-GF1 Series

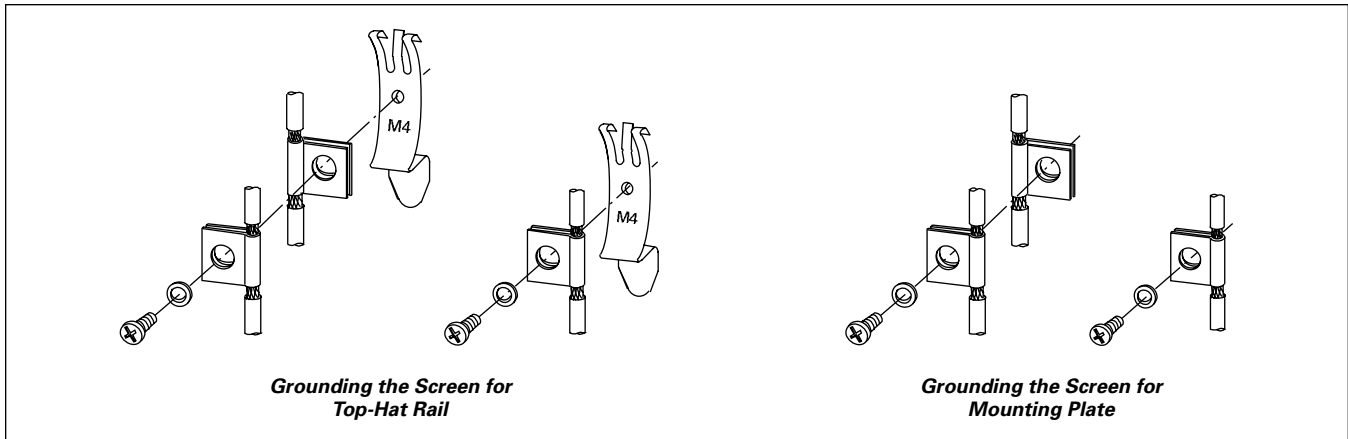


Figure 3-118. EZB4-102-KS1 Series

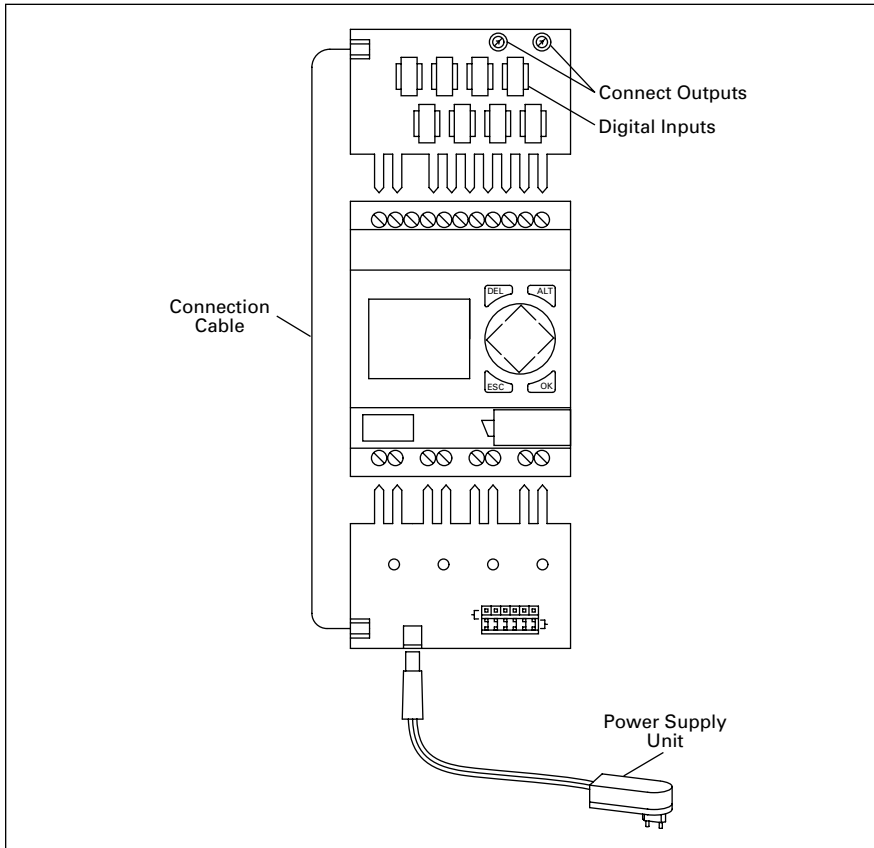
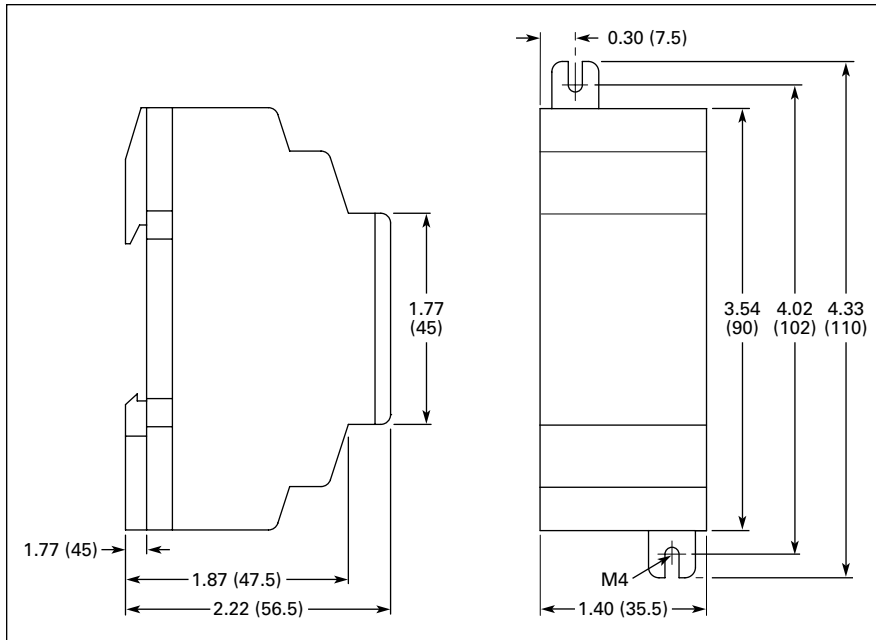


Figure 3-119. EZ412-DC-SIM-NA Series

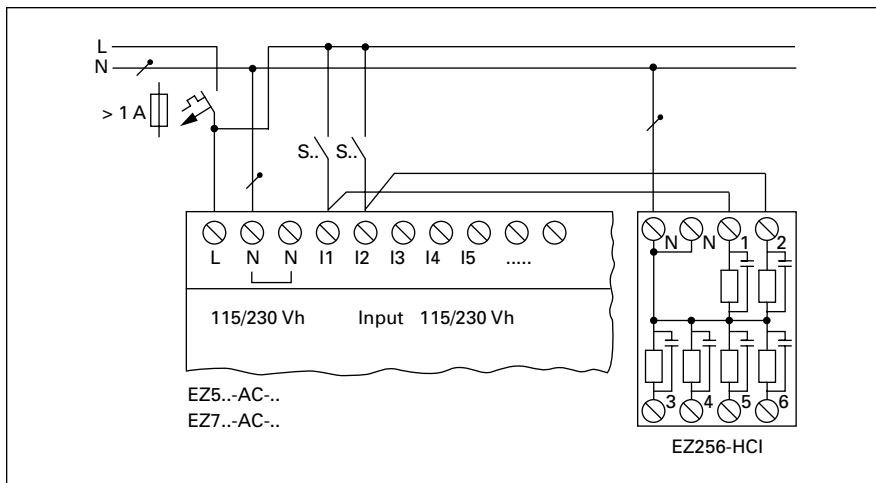
April 2009

**EZ/EZD Accessories**



**Figure 3-120. EZ256-HCI Dimensions in Inches (mm)**

**Wiring Diagram**



**Figure 3-121. EZ256-HCI Wiring Diagram**