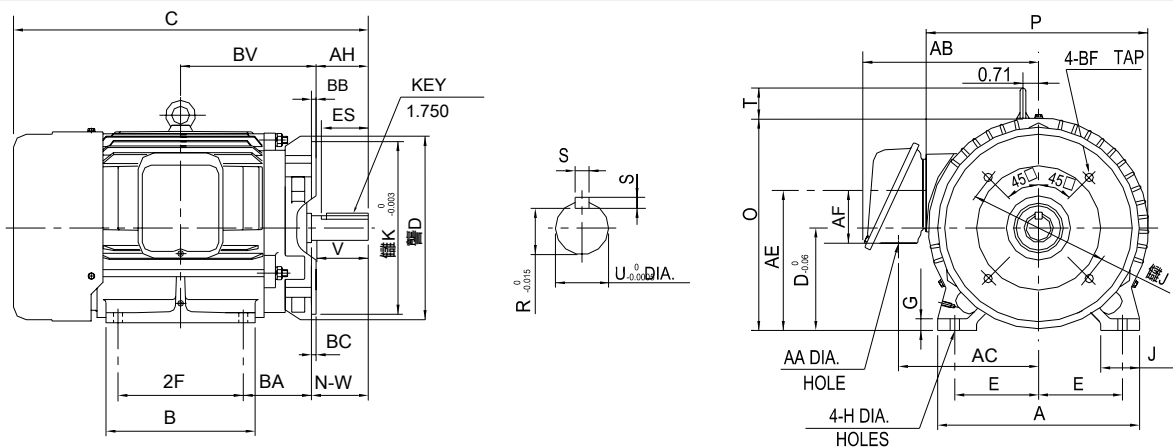


| | |
|------------|-----------|
| INDEX | SAS000920 |
| REV. LEVEL | 3 |
| SHEET | 1 OF 1 |



UNITS: INCHES

| FRAME SIZE | MOUNTING | | | | FLANGE | | | | | | | |
|------------|----------|------|------|------|--------|------|-----|------|------|------|---------|------|
| | E | 2F | H | BA | AH | AJ | AK | BB | BC | BD | BF TAP | BV |
| 182TC | 3.75 | 4.50 | 0.41 | 2.75 | 2.62 | 7.25 | 8.5 | 0.25 | 0.12 | 9.00 | 1/2"-13 | 5.13 |
| 184TC | 3.75 | 5.50 | 0.41 | 2.75 | 2.62 | 7.25 | 8.5 | 0.25 | 0.12 | 9.00 | 1/2"-13 | 5.63 |

| FRAME SIZE | MOTOR DIMENSIONS | | | | | | | | | CONDUIT BOX | | | | | | |
|------------|------------------|------|-------|-----|------|------|------|------|------|-------------|------|------|------|------|----|----|
| | A | B | C | D | G | J | O | T | P | AA | AB | AC | AE | AF | XL | XN |
| 182TC | 8.66 | 5.59 | 14.54 | 4.5 | 0.56 | 1.57 | 9.27 | 1.63 | 9.84 | 1.10 | 7.39 | 5.91 | 5.68 | 1.85 | — | — |
| 184TC | 8.66 | 6.61 | 15.53 | 4.5 | 0.56 | 1.57 | 9.27 | 1.63 | 9.84 | 1.10 | 7.39 | 5.91 | 5.68 | 1.85 | — | — |

| FRAME SIZE | SHAFT EXTENSION | | | KEY SEAT | | | BEARINGS | | MAXIMUM WEIGHT |
|-------------|-----------------|------|-------|----------|------|------|----------|--------|----------------|
| | N-W | V | U | R | S | ES | LS | OS | |
| 182TC/184TC | 2.75 | 2.50 | 1.125 | 0.986 | 0.25 | 1.78 | 6207ZZ | 6206ZZ | 91 lbs. |

NOTES:

1. DIMENSION V REPRESENTS LENGTH OF STRAIGHT PART OF SHAFT.
2. CONDUIT BOX MAY BE ROTATED IN 90° INCREMENTS AND MAY BE MOUNTED ON OPPOSITE SIDE ON SPECIAL ORDER.
3. KEY DIMENSIONS EQUAL S x S x 1.77 (MOTOR SUPPLIED WITH KEY)
4. MOTOR WEIGHT SHOWN IS MAXIMUM HORSEPOWER IN FRAME.

CERTIFIED DATA

ALL DATA SUBJECT TO CHANGE WITHOUT NOTICE FOR CONSTRUCTION USE ONLY CERTIFIED DATA

CUSTOMER: _____ P.O. NO.: _____ TAG NO.: _____

MOTOR MODEL NO.: _____ TOSHIBA FILE NO.: _____

HP: _____ RPM (SYN.): _____ VOLTAGE: _____ Hz: _____

FRAME SIZE: _____ LOG NO.: _____ LOG REV. LEVEL: _____

REMARKS: _____

PER: _____ ISSUE DATE: _____ SUPERSEDES: _____

TOSHIBA/HOUSTON

**TOTALLY-ENCLOSED
FAN-COOLED
FOOT-MOUNTED
WITH C-FACE FLANGE
Fr. 182TC-184TC**