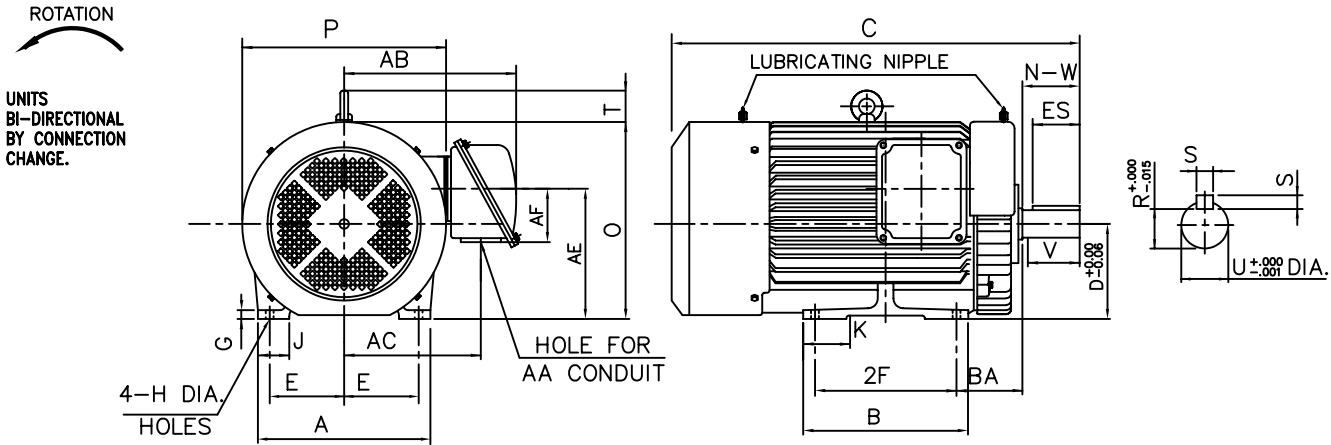


TOSHIBA/HOUSTON

**TOTALLY-ENCLOSED FAN-COOLED Fr. 404T/TS-405T/TS
HORIZONTAL FOOT-MOUNTED**



UNITS: INCHES

FRAME SIZE	MOUNTING				CONDUIT BOX							
	E	2F	H	BA	AA	AB	AC	AE	AF	XL	XN	
404T/404TS	8.00	12.25	0.81	6.62	NPT3"	20.87	16.54	13.35	9.94	—	—	
405T/405TS	8.00	13.75	0.81	6.62	NPT3"	20.87	16.54	13.35	9.94	—	—	

FRAME SIZE	MOTOR DIMENSIONS									
	A	B	C	D	G	J	K	O	T	P
404T	19.13	16.34	39.10	10.00	1.34	3.94	5.91	20.96	3.54	23.60
404TS	19.13	16.34	36.10	10.00	1.34	3.94	5.91	20.96	3.54	23.60
405T	19.13	17.68	40.60	10.00	1.34	3.94	5.91	20.96	3.54	23.60
405TS	19.13	17.68	37.60	10.00	1.34	3.94	5.91	20.96	3.54	23.60

FRAME SIZE	SHAFT EXTENSION			KEY SEAT			BEARINGS		MAXIMUM WEIGHT
	N-W	V	U	R	S	ES	LS	OS	
404T	7.25	7.00	2.875	2.450	0.750	5.65	NU218	6313	1252 lbs.
404TS	4.25	4.00	2.125	1.845	0.500	2.78	6313C3	6313C3	1345 lbs.
405T	7.25	7.00	2.875	2.450	0.750	5.65	NU218	6313	1393 lbs.
405TS	4.25	4.00	2.125	1.845	0.500	2.78	6313C3	6313C3	1345 lbs.

NOTES:

- DIMENSION V REPRESENTS LENGTH OF STRAIGHT PART OF SHAFT.
- CONDUIT BOX MAY BE ROTATED IN 90° INCREMENTS AND MAY BE MOUNTED ON OPPOSITE SIDE ON SPECIAL ORDER.
- "T" KEY DIMENSIONS EQUAL S x S x 5.625
"TS" KEY DIMENSIONS EQUAL S x S x 2.750 (MOTOR SUPPLIED WITH KEY)
- MOTOR WEIGHT SHOWN IS MAXIMUM HORSEPOWER IN FRAME.

ALL DATA SUBJECT TO CHANGE WITHOUT NOTICE.
FOR CONSTRUCTION USE ONLY CERTIFIED DATA.

CERTIFIED DATA

CUSTOMER: _____ P.O. NO.: _____ TAG NO.: _____

MOTOR MODEL NO.: _____ TOSHIBA FILE NO.: _____

HP: _____ RPM (SYN.): _____ VOLTAGE: _____ Hz: _____

FRAME SIZE: _____ LOG NO.: _____ LOG REV. LEVEL: _____

REMARKS: _____

PER: _____ ISSUE DATE: _____ SUPERSEDES: _____